



www.Trajansaw.com

Trajan 270
European Style



Parts and Service Manual
Order Parts From
www.BandSawParts.com
713-884-1104

PARTS LIST

MODEL NO. 270V,,,"HM" AND "HB" SYSTEM

CODE NO	PART NO	DESCRIPTION	SPECIFICATION	QTY
1	198005	Body Frame		1
2	198008	Anchor Block		1
2A	198151	Anchor Plate		1
2B	HT001	Round Head Screw	M5X10L	2
3	198024	Shaft		1
4	HS244	Hex. Socket Head Screw	M8X30L	3
5	198050	Anti-Chip Cover		2
6	CA32006A	Tapered Bearing	32006A	2
7	HW105	Spring Washer	M8	3
8	HS051	Hex. Head Screw	M8X45L	1
9	HN005	Hex. Nut	M8	1
10	198148M	Indication Plate		1
11	CA51203	Bearing	51203	1
12	198086	Knob		2
13	198051A	Blade Tension Handle		1
14	198093	Spring Washer	φID16.3Xφ31.5X1.8t	14
15	198026	Leadscrew		1
16	HN008	Hex. Nut	M16XP2	1
17	HS242	Hex. Socket Head Screw	M8X20L	3
18	198013	Fixed Block		1
19	HP022	Pin	φ5X40	2
20	198149M	Grip	M10X52L	1
21	198012M	Fixed Block		1
22	HS242	Hex. Socket Head Screw	M8X20L	2
23	HS423	Hex. Socker Headless Screw	M6X16L	8
25	198016M	Blade adjust stick		1
26	HS430	Hex. Socker Headless Screw	M8X10L	2
27	HS228	Hex. Socket Head Screw	M6X10L	1
28	198044	Connecting Tube		1
28	198044A	Connecting Tube		1
29	198075	Handle		1
29	198193A	Handle Cap		1
30	HW006	Washer	M10	1

PARTS LIST

MODEL NO. 270V,,,"HM" AND "HB" SYSTEM

CODE NO	PART NO	DESCRIPTION	SPECIFICATION	QTY
32	HT014	Round Head Screw	M6X30L	2
35	HS228	Hex. Socket Head Screw	M6X8L	2
38	198015A	Blade Adjust (Front)		1
39	HS432	Hex. Socker Headless Screw	M8X20L	2
40	HN005	Hex. Nut	M8XP1.25	2
41	198017	Guide		2
42	198018	Guide		2
43	198020	Eccentric Guide		2
44	CA608-2Z	Bearing	608-2RS	4
45	C100	C-Retainer Ring	φ8	4
46	198019	Eccentric Guide		2
47	HT003	Round Head Screw	M6X10L	1
48	198034M	Blade Cover (Front)		1
51	198152	Scale		1
52	HS421	Hex. Socker Headless Screw	M6X6L	2
53	HH005	Rivet	φ2X6	2
54	198014A	Blade Adjustable (Rear)		1
55	HS421	Hex. Socker Headless Screw	M6X6L	2
56	HT025	Hex. Socket Head Screw	M8X30L	2
58	198032AT	Blade Cover		1
60	HT019	Round Head Screw	M5X12L	2
63	HS262	Hex. Socket Head Screw	M10X40L	2
64	HS259	Hex. Socket Head Screw	M10X25L	2
65	198028	Frame Pivot Shaft		1
66	198048	Anti-Chip Cover		2
67	CA32007	Tapered Bearing	32007,62*35-18	2
71	MFC2039-1		1.5HP,3相,400V-4P,50Hz	1
71-1	HK114	Key	6X6X40L	1
72	HS034	Hex. Socket Head Screw	M6x20L	4
73	HW104	Spring Washer	M6	4
74S	198101BS	Reducer(2/4P)	1:40	1
75	HW106	Spring Washer	M10	4
76	HS258	Hex. Socket Head Screw	M10x20L	4

PARTS LIST

MODEL NO. 270V,,,"HM" AND "HB" SYSTEM

CODE NO	PART NO	DESCRIPTION	SPECIFICATION	QTY
77	198108M	Reducer Cover		1
78	HD607	Hose Fitting	φ8X1/4"PT	1
79	HS229	Hex. Socket Head Screw	M6X15L	2
80	198067	3 Way Valve		1
81	HD801	PU Tube	φ6x240L	1
82	HD803	Valve	1/8"(内外牙)	2
83	HD606	Hose Fitting	φ6X1/8"PT	4
84	HD802	PU Tube	φ6x800L	1
85	HS060	Hex. Socket Head Screw	M10X30L	1
86	198037	Prive Shaft Washer		1
87	HK091	Round Head Key	8X7X50	1
88	198023	Output Shaft		1
89	HK097	Round Head Key	8X7X25	1
90	CA62082RS	Bearing	6208-2RS	1
91	198069MH	Spring Bracket		1
91	198069M	Spring Bracket		1
92	198042M	Spring		2
92	198042M	Spring		1
92A	198171M	Bushing		2
92A	198171M	Bushing		1
93	HN006	Hex. Nut	M10	2
93	HN006	Hex. Nut	M10	1
93A	101008	Washer		2
93A	101008	Washer		1
94	HS274	Hex. Socket Head Screw	M10X110L	2
94	HS274	Hex. Socket Head Screw	M10X110L	1
96	198007	Idler Wheel		1
97	HW106	Spring Washer	M10	2
98	HS260	Hex. Socket Head Screw	M10x30L	2
99	HN105	Nut	AN06	1
100	198077	Blade	0.9X27X2450X5/8T	1
101	198006	Drive Wheel		1
102	198036	Drive Shaft Washer		1

PARTS LIST

MODEL NO. 270V,,,"HM" AND "HB" SYSTEM

CODE NO	PART NO	DESCRIPTION	SPECIFICATION	QTY
103	HS089	Hex. Head Screw	M12X30L	1
104	198030	Blade Back Cover		1
105	HS229	Hex. Socket Head Screw	M6X15L	4
106	HW104	Washer	M6	4
106-1	198189	Washer		1
107	HS521	Cross Round Head Screw	M5X20L	3
108	HD610	Hose Clip	φ8	3
109	HS241	Hex. Socket Head Screw	M8x15L	2
115	198079PM	Label	HB用	1
116	198074GA	Cover		1
117	HT005	Round Head Screw	M5x15L	2
120	198068	Spring Bracket		1
121	HW106	Spring Washer	M10	3
122	HS259	Hex. Socket Head Screw	M10X25L	3
165S	121059NS	Distance Set Rod Assembly		1
165-1	198057	Distance Set Bracket		1
165-2	HW005	Washer	M8	2
165-3	198088	Knob		2
165-4	198058	Stock Stop Rod		1
165-5	121059N	Distance Set Rod		1
165-6	HN010	Hex. Nut	M14xP1.5細牙	1
165-7	198087	Scale		1
165-8	HH001	Rivet	φ2	4
170	198052A	Handwheel		1
171	HP021	Pin	φ5X35	1
172	198039	Bearing Cover		1
173	CA3047	Bearing	φ30Xφ47X3.5	1
174	198009	Vise Handle		1
175	198040	Spring		1
176	198049	Bushing		1
178	HW016	Washer	φ6.5 *φ18-1.5	1
179	HS229	Hex. Socket Head Screw	M6x15L	1
180	198004	Vise Jaw Bracket(Front)		1

PARTS LIST

MODEL NO. 270V,,,"HM" AND "HB" SYSTEM

CODE NO	PART NO	DESCRIPTION	SPECIFICATION	QTY
181	198022	Vise		1
182	HD501	Hex. Socket Flat Head Scvew	M6X12L	2
183	HS260	Hex. Socket Head Screw	M10X30L	2
184	HW106	Spring Washer	M10	2
185	198011	Vise		1
186	198003	Vise Jaw Bracket(Rear)		1
187	HS430	Hex. Socker Headless Screw	M8X10L	1
188	198021	Vise		1
189	HD509	Hex. Socket Head Screw	M6X15L	2
190	198025	Leadscrew A		1
191	HS432	Hex. Socker Headless Screw	M8X20L	1
193	HS319	Hex. Socket Head Screw	M6X110L	2
194	198002	Swivel Arm		1
195	HN006	Hex. Nut	M10	2
196	198043	Vise Jaw Adjustable Rod		1
197	HO0031	O-Retainer Ring	φ19.8Xφ2.4	1
198	HS063	Hex. Head Screw	M10X45L	2
199	CA32007	Bearing		1
200	198029	Bushing		1
201	HN106	Nut	AN07防鬆	1
202	198046	Bolt		1
202-1	HN006	Hex. Nut	M10-P1.5	1
204	HS229	Hex. Socket Head Screw	M6x15L	2
205	HW104	Spring Washer	M6	2
206	198097M	Cover		1
209	198071G	Control Box Base		1
209-1	103143	Value		1
209-2	103124A	Throttle Valve		1
209-4	HT001	Round Head Screw	M5X10L	6
214	198071GV	Lable for Name Plate		1
215S		Control Box		1.00
216	HB605	Hex Socket Plug	3/8"PT	1
216-1	198191	Washer	15*22-2.2	2

PARTS LIST

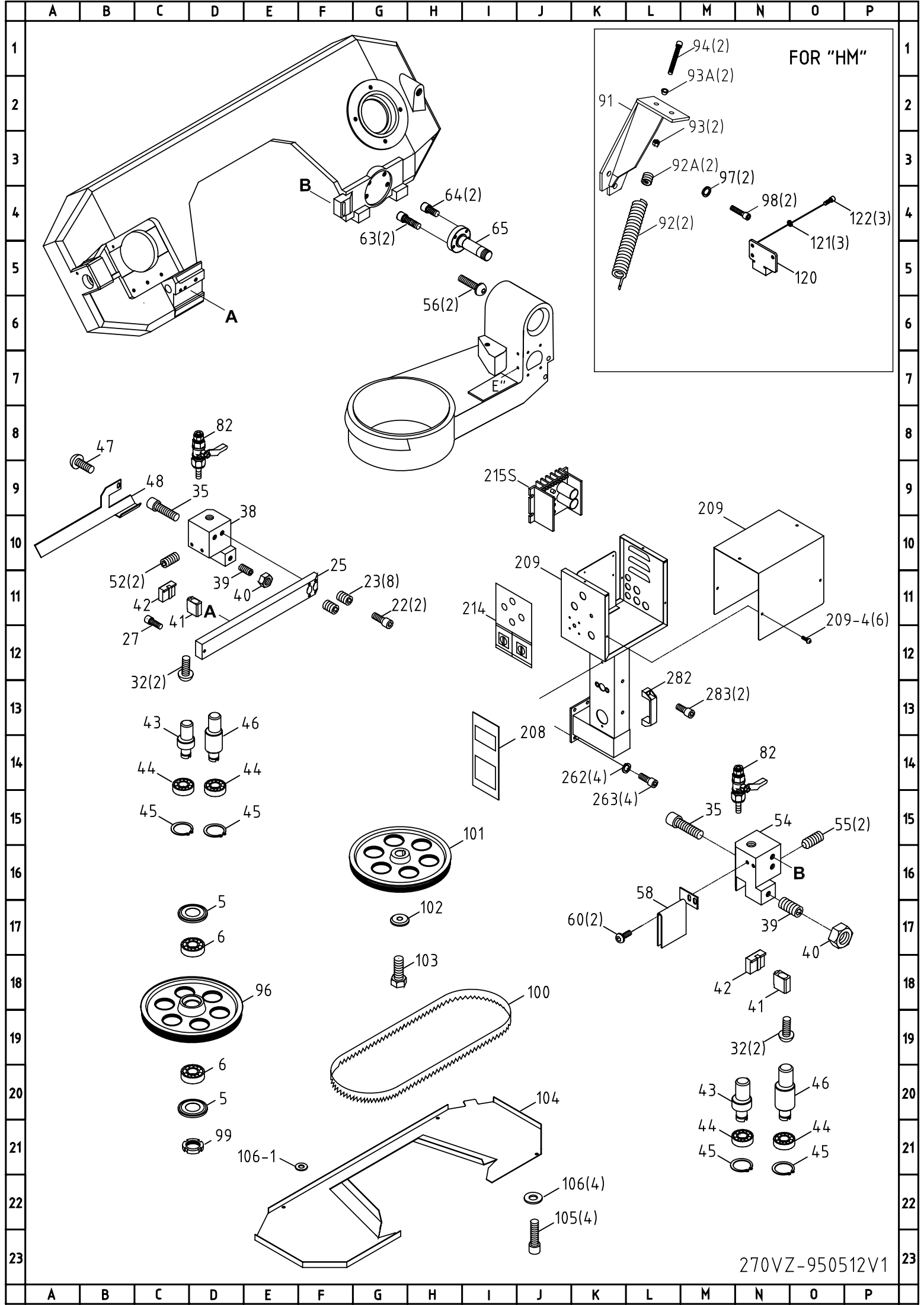
MODEL NO. 270V,,,"HM" AND "HB" SYSTEM

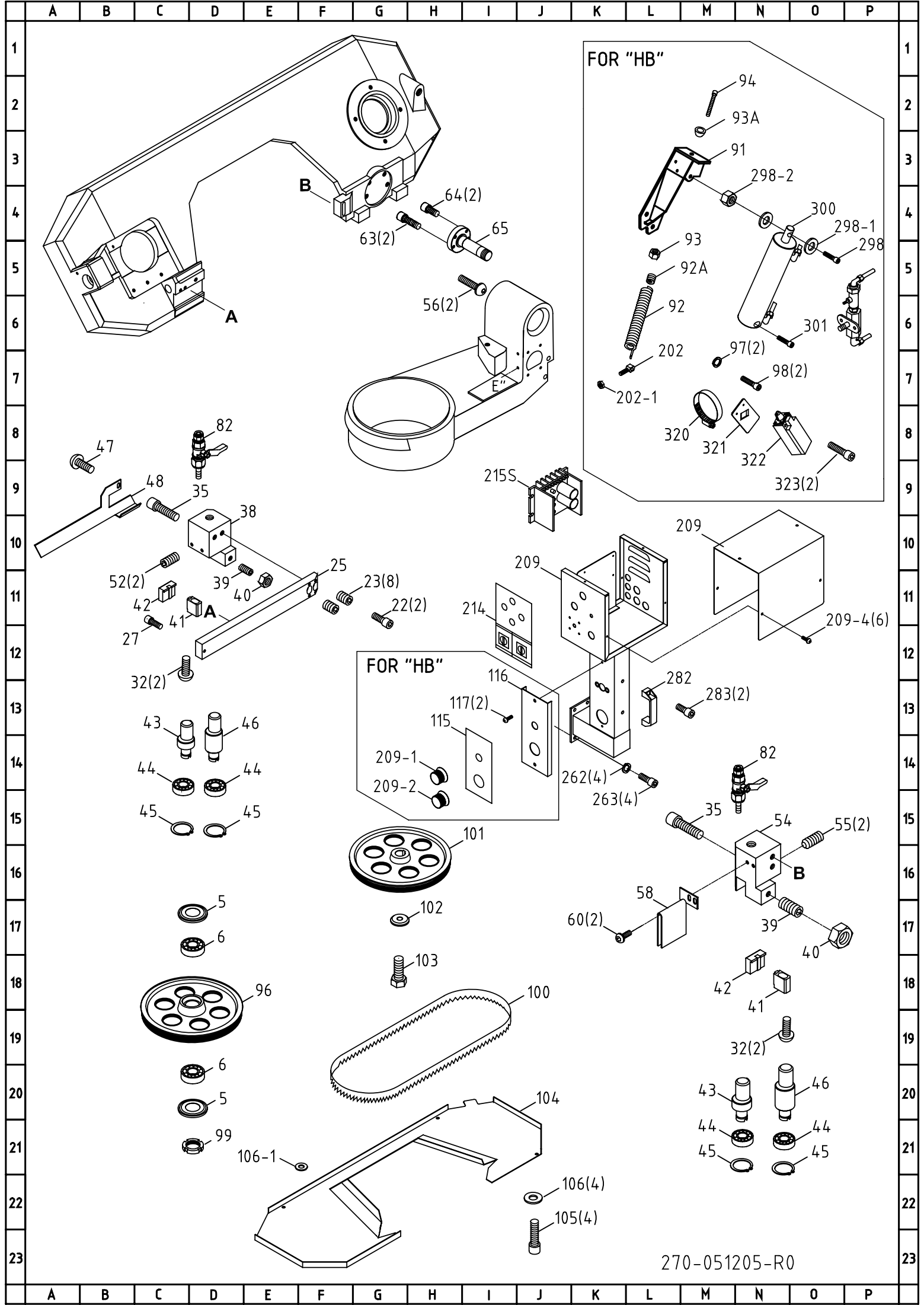
CODE NO	PART NO	DESCRIPTION	SPECIFICATION	QTY
217	121067M	Oil level gage		1
217-1	198190	Washer	19.5*26-2.2	1
218	HO042	O-Retainer Ring	ID170X5.7W	1
219	HW106	Spring Washer	M10	6
220	HS258	Hex. Socket Head Screw	M10X20L	6
221	198001M	Stand		1
221-1	198001P	Swivel Arm Base		1
222	121031	Filter		1
223	HS509	Cross Round Head Screw	M4X8L	2
224	HS064	Hex. Head Screw	M10X50L	1
224-1	HS074	Hex. Head Screw	M10X100L	1
225	HN006	Hex. Nut	M10	2
227	HS059	Hex. Head Screw	M10X25L	2
228	HW106	Spring Washer	M10	2
229	198041	Fixed Plate		1
230	HT003	Round Head Screw	M6X10L	4
231	HS261	Hex. Socket Head Screw	M10X35L	1
232	198038	Nut		1
233	198010	Adjustable Handle		1
234	HW023	Washer	M10	4
235	HS258	Hex. Socket Head Screw	M10X20L	4
240S	MGL216B-A	Cooling Pump Assembly	1/8HP,1相,440V,50Hz	1
241	HS229	Hex. Socket Head Screw	M6-1.0Px15L	2
242	HW104	Spring Washer	M6	2
243	HD608	Micro Control Block	3/8"x3/8"	1
245	HD804	PU Tube	φ8x1300L	1
248	198073T	Fluid Collected Plate		1
249	198054M	Feed Support		1
250S	198001FM	Stand Leg Set		1
250-1	198001FMA	Stand Leg (front)		2
250-2	198001FMB	Stand Leg(Right)(Left)		2
253	HS046	Hex. Head Screw	M8x20L	12
254	HW005	Washer	M8	24

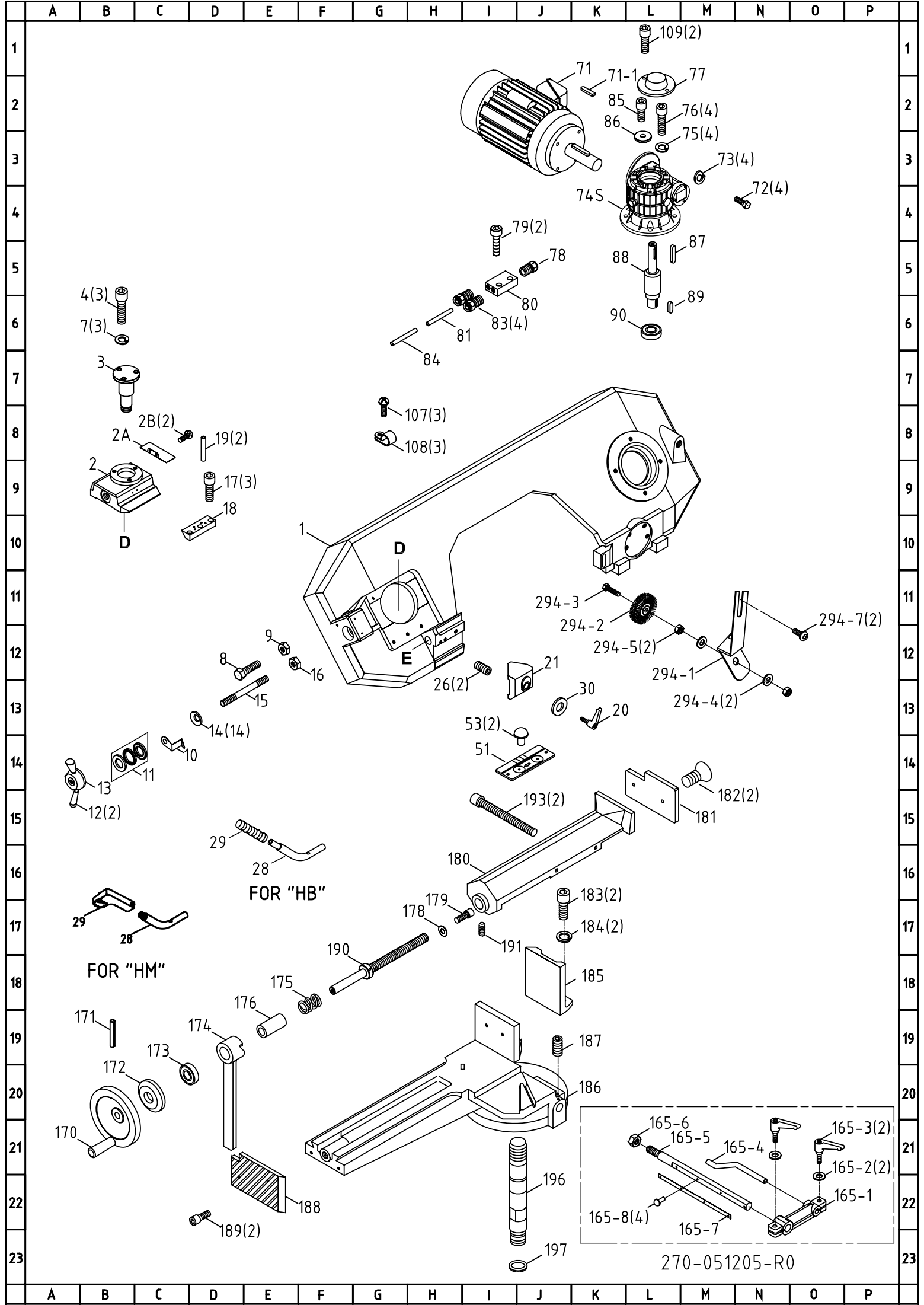
PARTS LIST

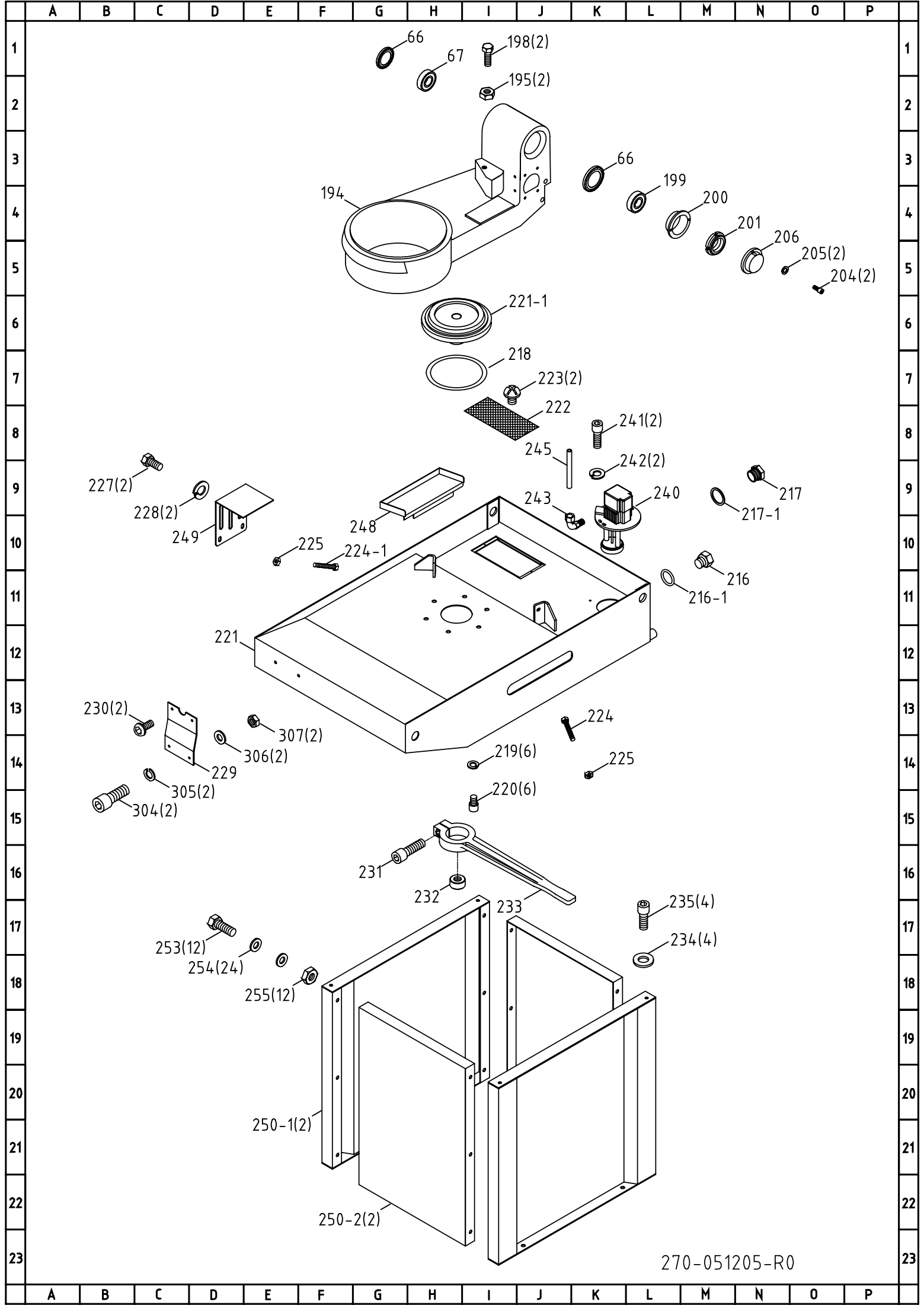
MODEL NO. 270V,,, "HM" AND "HB" SYSTEM

CODE NO	PART NO	DESCRIPTION	SPECIFICATION	QTY
255	HN005	Hex. Nut	M8	12
262	HW104	Washer	M6	2
263	HS228	Hex. Socket Head Screw	M6X12L	2
282	1965052	Knob		1
283	HS241	Hex. Socket Head Screw	M8X15L	2
294-1	198032B	Brush Support		1
294-2	181241C	Brush		1
294-3	HS036	Hex. Head Screw	M6x30L	1
294-4	HW016	Washer	ø6.5Xø18Xt1.5mm	2
294-5	HN004	Hex. Nut	M6	2
294-7	HT003	Hex. Socket Head Screw	M6X10L	2
298	HS264		M10X50L	1
298-1	HW006	Washer	M10X20Xt2	2
298-2	HN006	Hex. Nut	M10	1
300	198065A	Cylinder Assembly		1
301	HS325		M10X115L	1
304	HS229	Hex. Socket Head Screw	M6x15L	2
305	HW104	Spring Washer	M6	2
306	HW004	Washer	M6	2
307	HN004	Hex. Nut	M6	2
320	198083MG	Hose Clip		1
321	198083MH	Down Bracket	含管束	1
322	ET1615	Limit Switch	滾輪式	1
323	HS212	Hex. Socket Head Screw	M4X30L	2









270-051205-R0